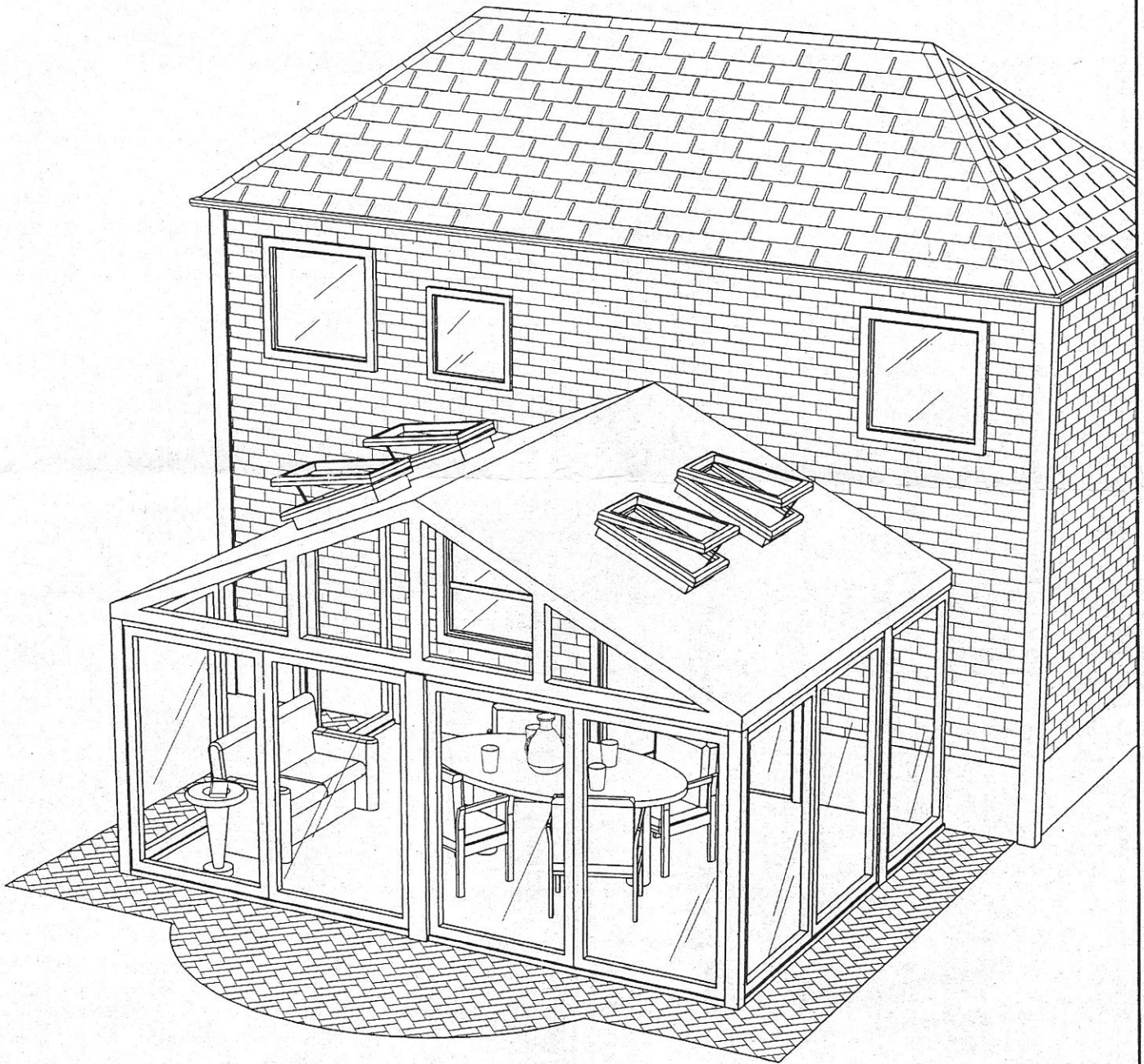


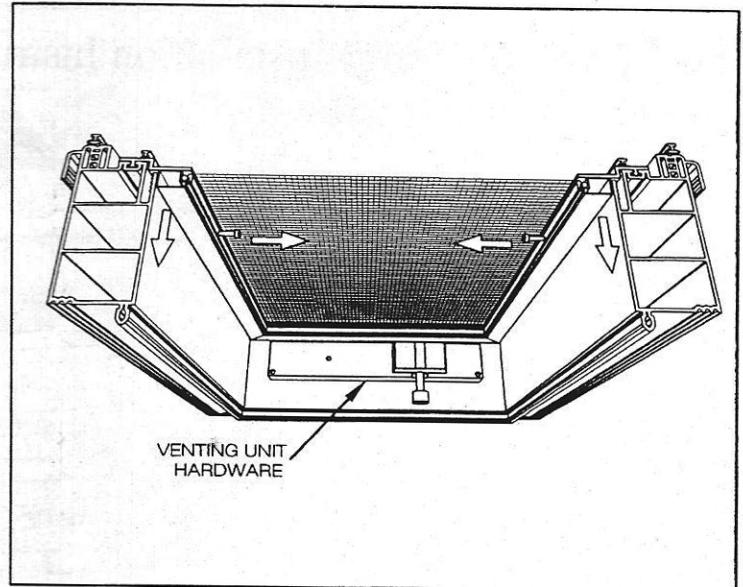
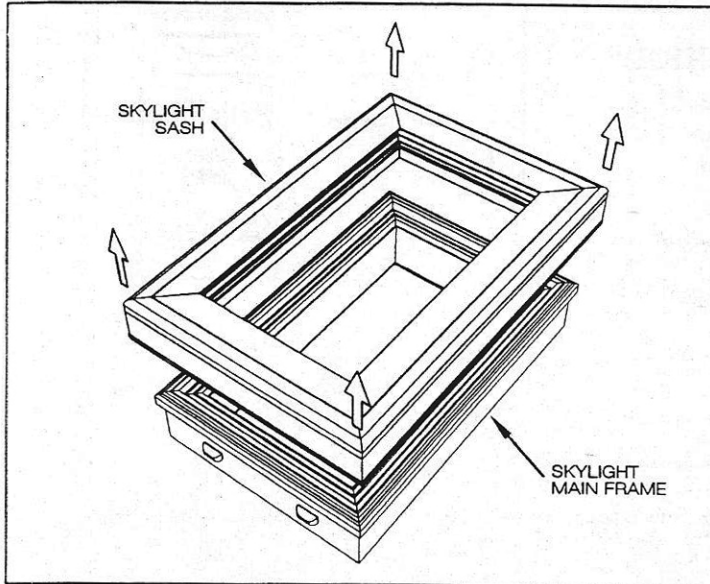


PL Roof Windows & Skylights

Model EVS (Venting) Installation Instructions
(Sunroom Enclosures)

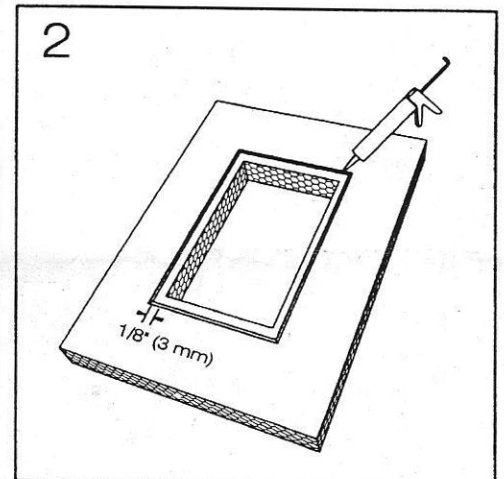
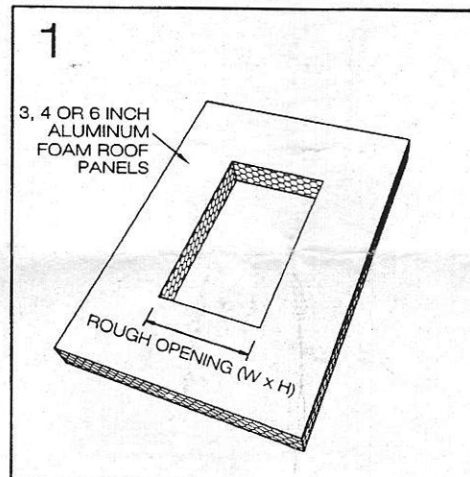


The best **maintenance free**
roof windows and skylights.
Built to endure the test of time.

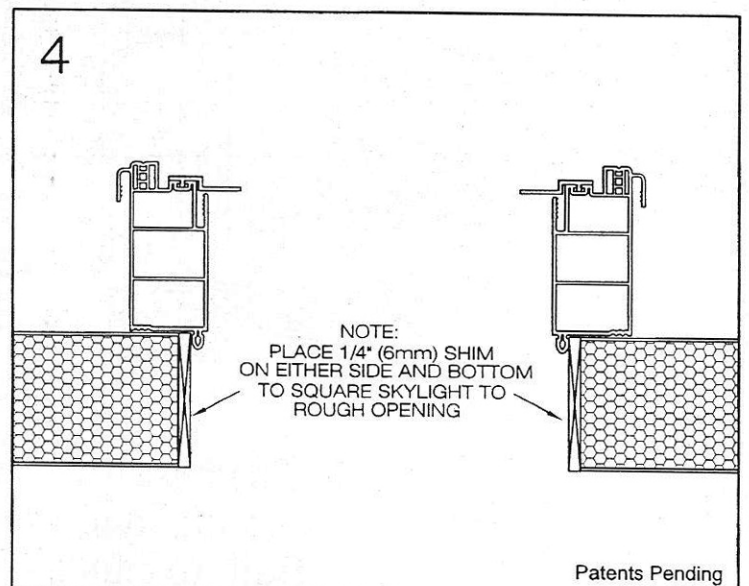
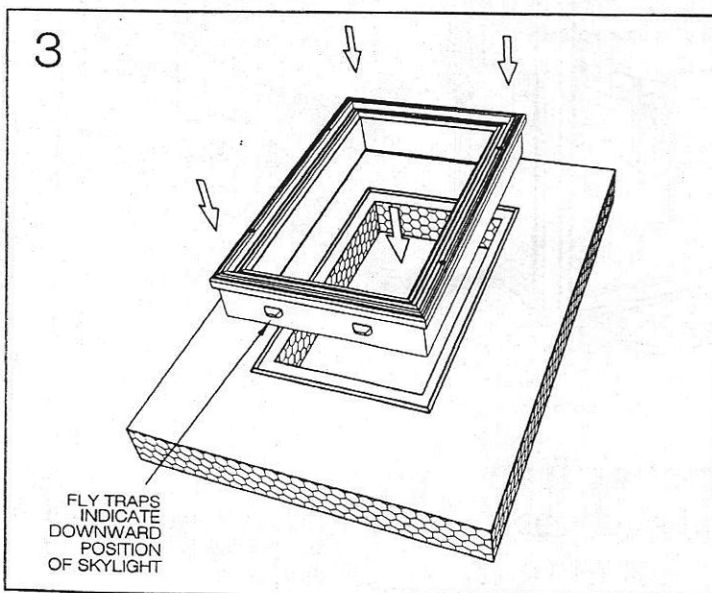


Handle With Caution! Venting unit sash is not fastened to main frame on header. Open venting sash to maximum height, remove pin from hardware, separate sash from main frame and remove insect screen.

MODEL EVS	ROUGH OPENING DIMENSIONS (W x H)
EVS22	20 1/8" x 25 5/8" 511 x 651 mm
EVS23	20 1/8" x 33 5/8" 511 x 854 mm
EVS24	20 1/8" x 43 5/8" 511 x 1108 mm
EVS33	28 1/8" x 29 5/8" 714 x 752 mm
EVS34	28 1/8" x 43 5/8" 714x 1108 mm

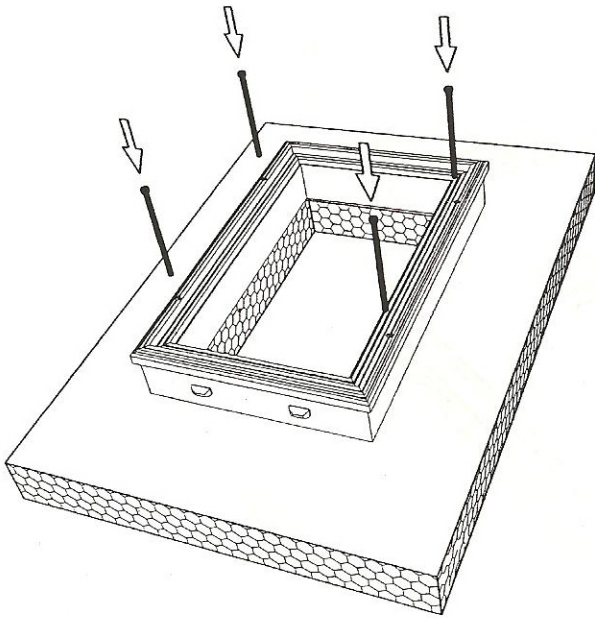


- 1) Cut rough opening as per specified dimensions.
- 2) Apply sealant around rough opening approximately 1/8" inch from edges.

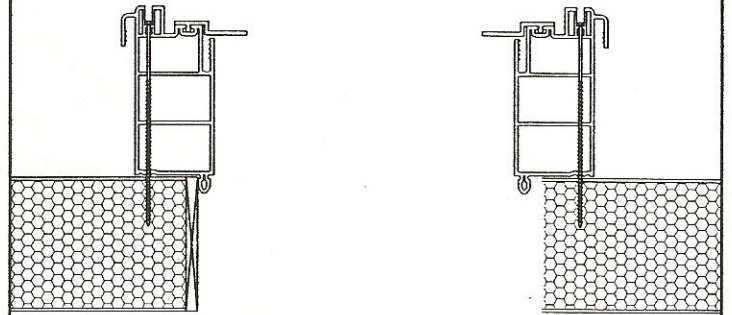


- 3) Insert skylight into rough opening.
- 4) Using 1/4" spacers on either side and bottom, align and square skylight to opening.

5

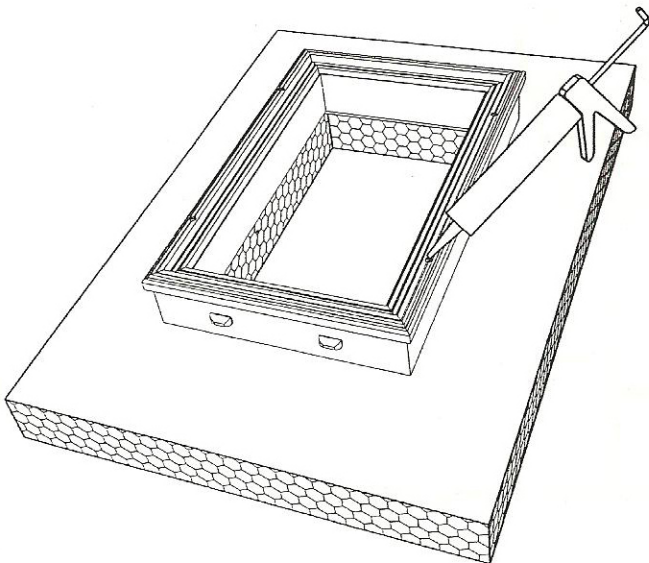


5a

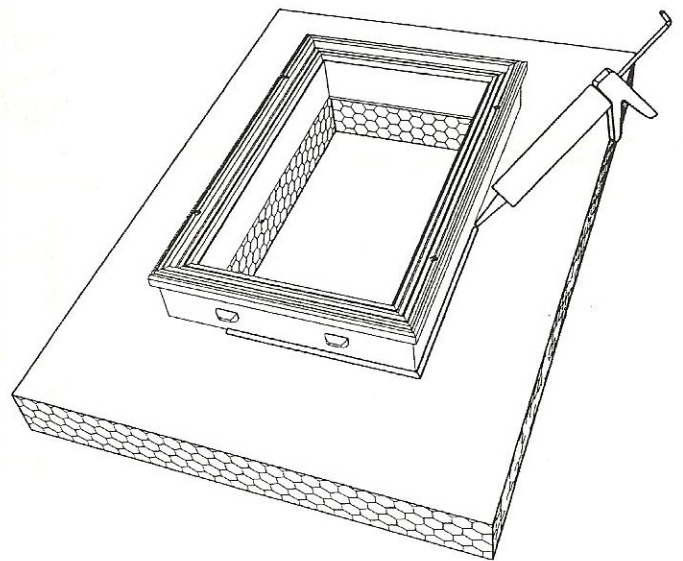


5) Fasten skylight to roof panel with 3/16" socket drive head, #10 5 1/4" screws.
5a) Remove shims

6



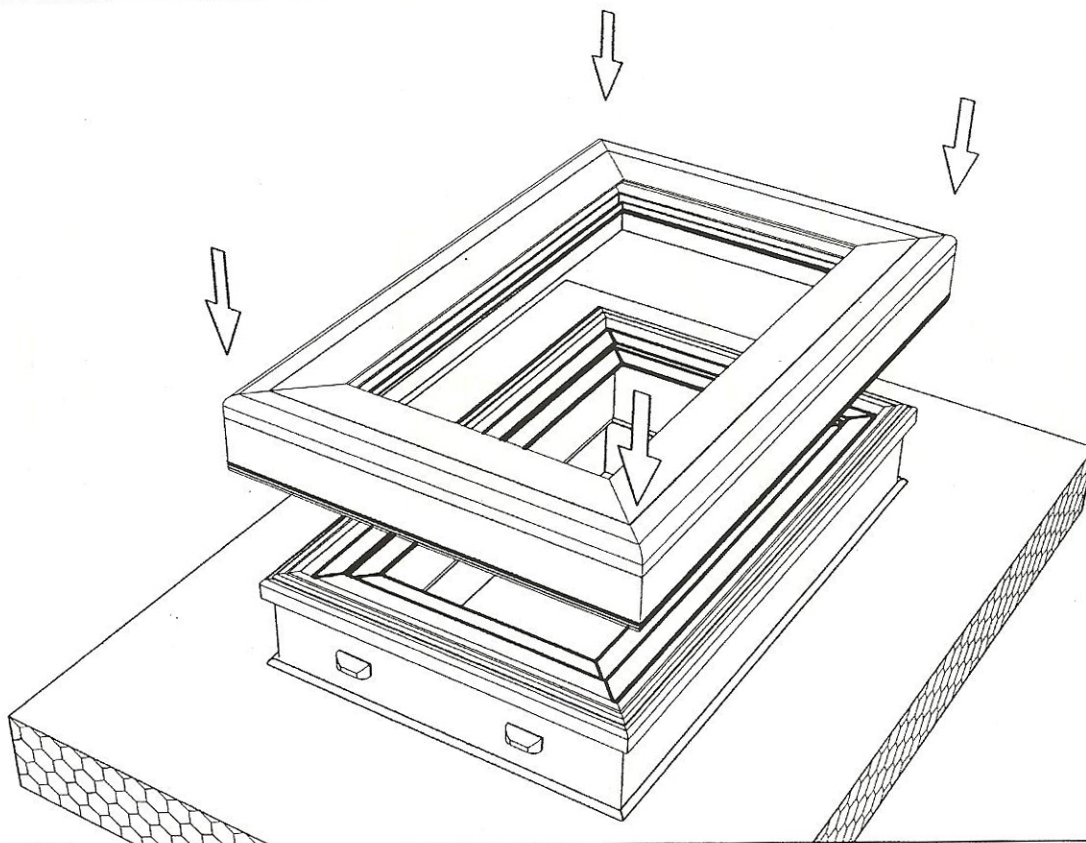
7



Patents Pending

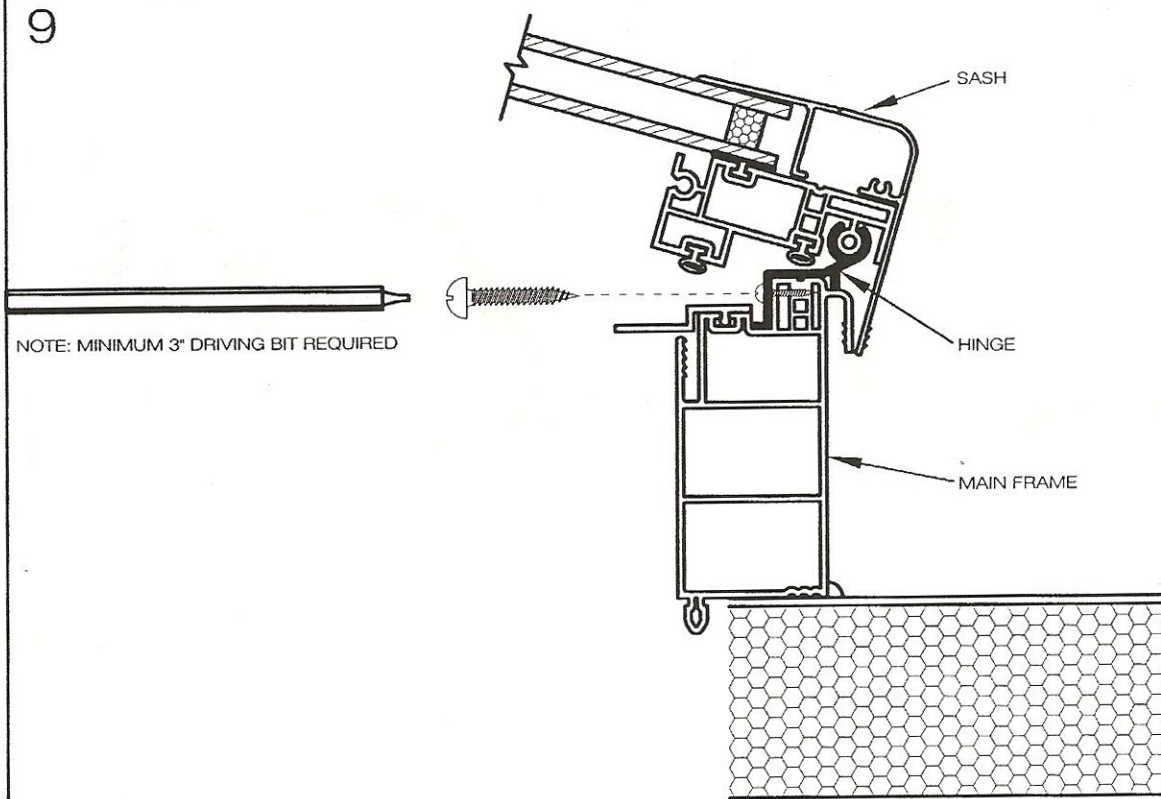
6) Fill screw holes with white silicone to avoid moisture accumulation.
7) Apply sealant around bottom of skylight frame for a weather tight installation.

8



8) Before installing sash, make sure hardware chain link is in maximum opening position. Now you're ready to install sash to main frame. Hinging system is designed and cut to interior width of main frame. Lift bottom of sash to an open position and hinge will drop and self position sash to main frame for proper alignment. (Refer to step 9).

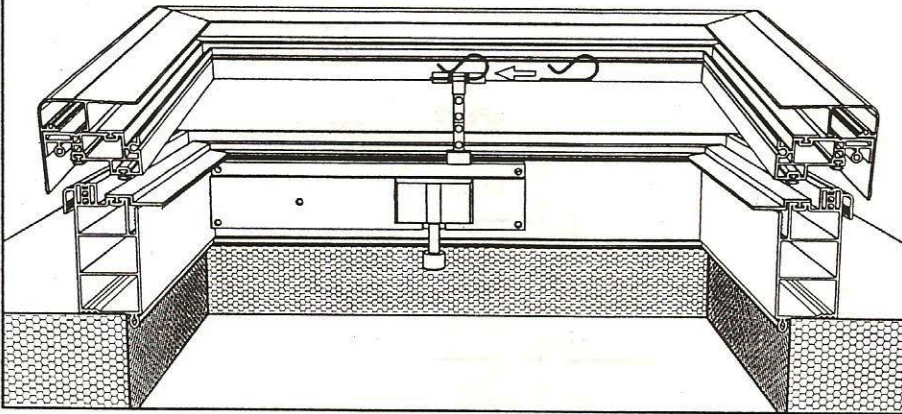
9



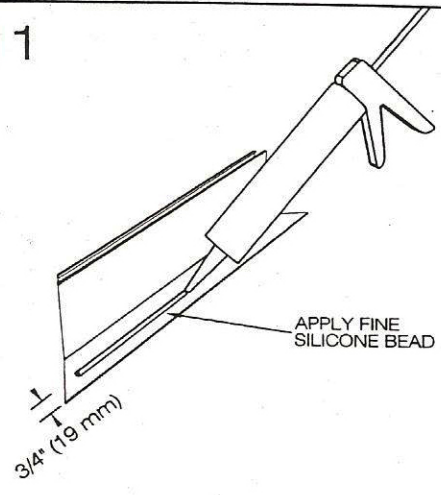
Patents Pending

9) Fasten sash to main frame in pre-drilled holes located on hinge using fasteners supplied.

10



11



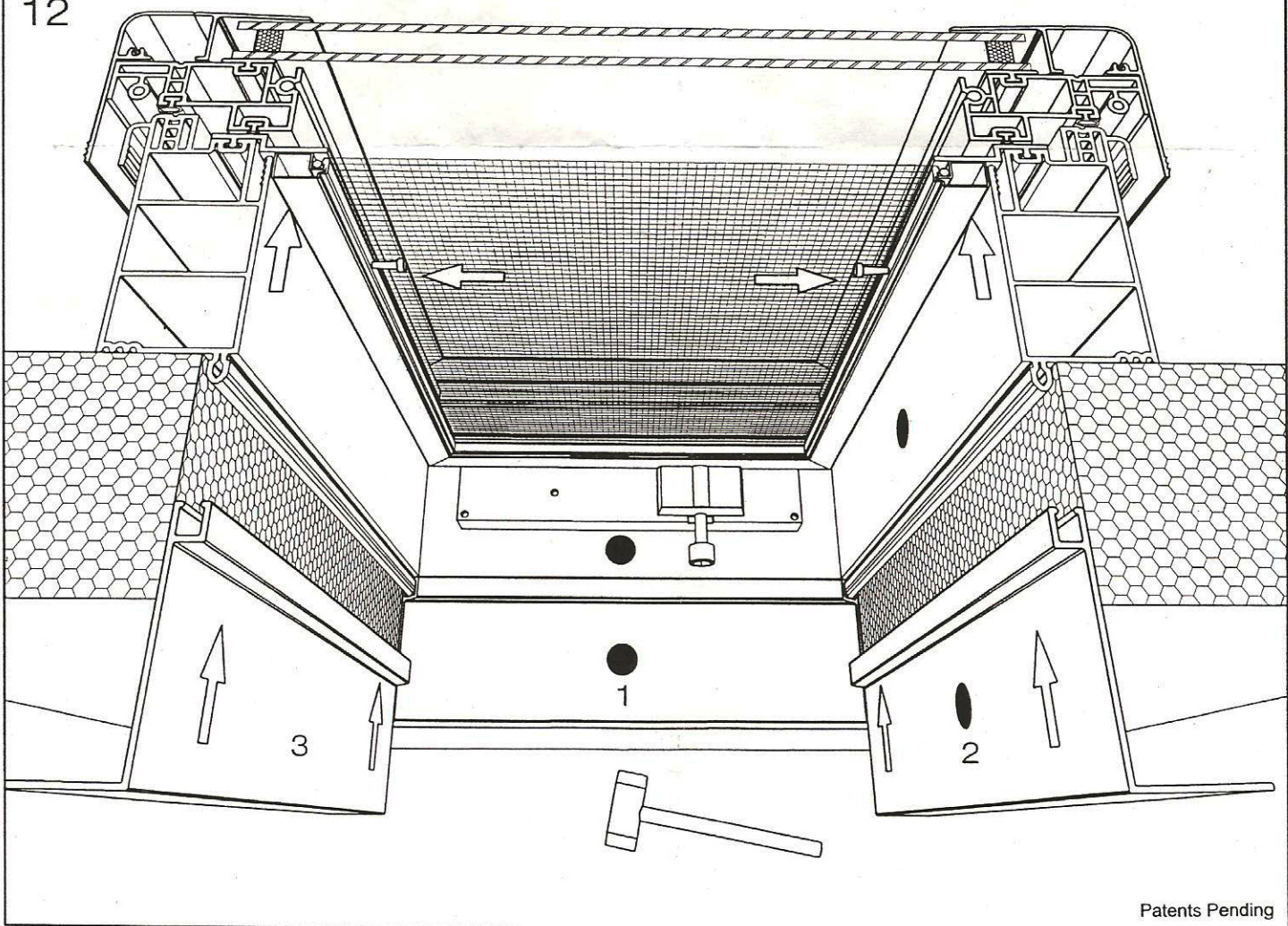
APPLY FINE SILICONE BEAD

3/4" (19 mm)

10) Position hardware chain link in keeper and insert pin in place.

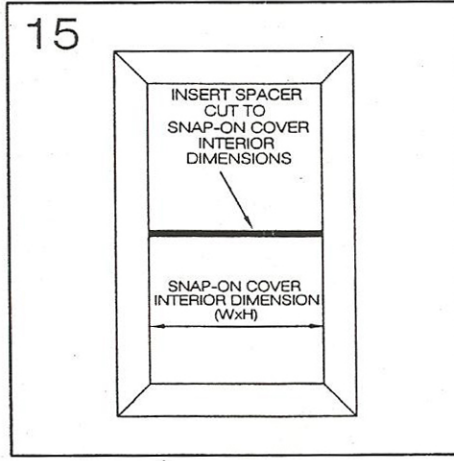
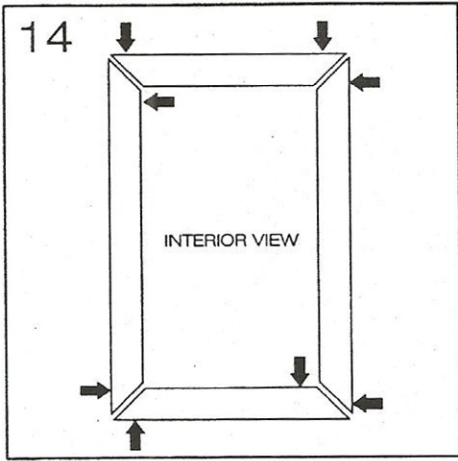
11) Apply a fine silicone bead to bottom legs of interior snap-on covers to avoid bowing and to assure proper alignment and adhesion to interior of roof panel.

12



Patents Pending

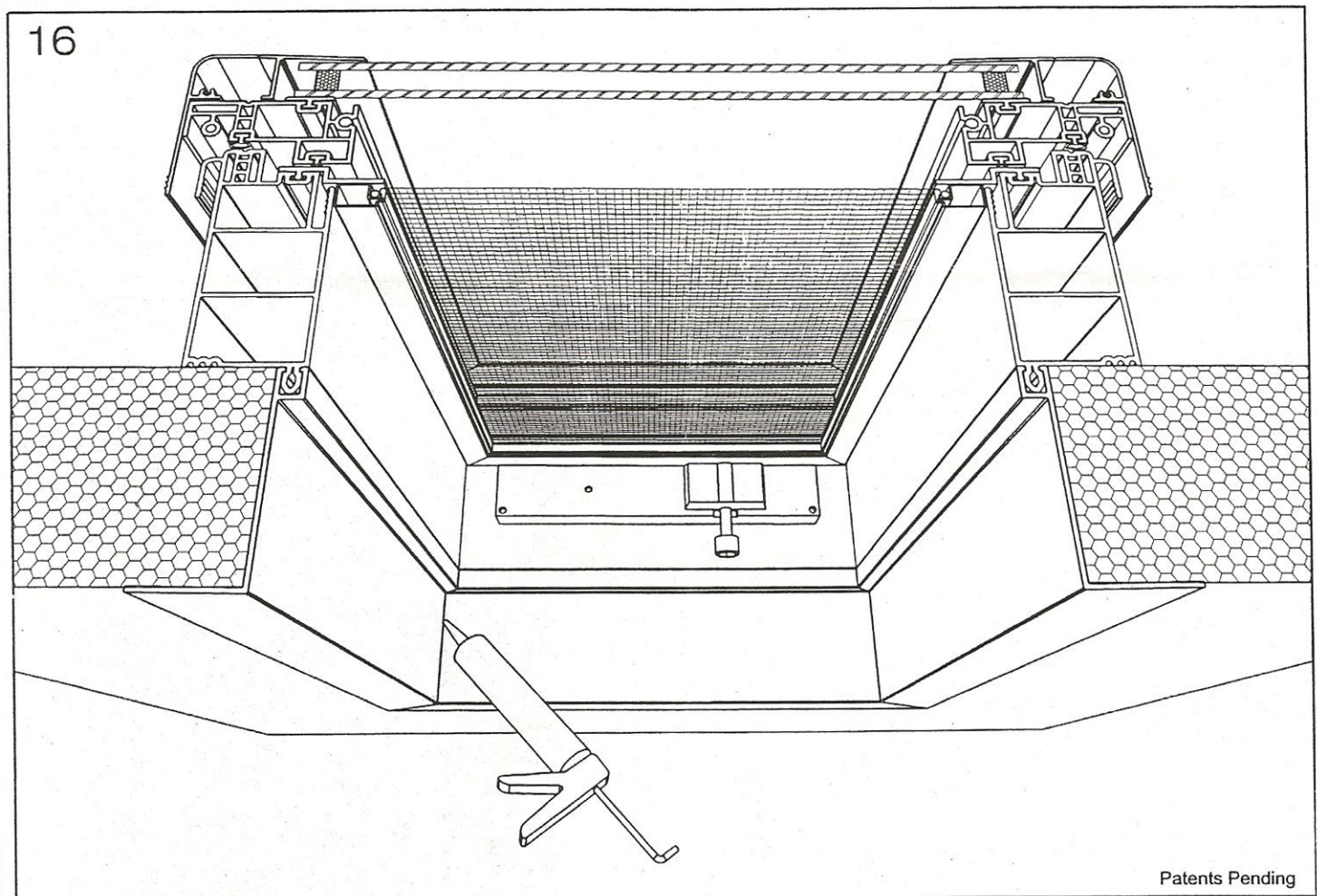
12) Your snap-on covers are cut to exact dimensions, individually fitted with sides of skylight frame and are referenced with matching color dots for proper placement and installation. Insert interior snap-on covers using rubber mallet to avoid scuffing of vinyl in the order indicated above. Re-insert insect screen. Be sure to fully pull and hold pins inward to avoid abrasions to surface of main frame.



MODEL	SNAP-ON COVER INTERIOR DIMENSIONS (W x H)
EVS	
EVS22	19 7/16 x 24 15/16 in. 494 x 633 mm
EVS23	19 7/16 x 32 15/16 in. 494 x 837 mm
EVS24	19 7/16 x 42 15/16 in. 494 x 1091 mm
EVS33	27 7/16 x 28 15/16 in. 697 x 735 mm
EVS34	27 7/16 x 42 15/16 in. 697 x 1091 mm

14) Adjust mitered ends of snap-on covers if required for proper alignment.

15) Insert spacer cut to interior cover dimensions as per chart to avoid gaps in mitered corners and bowing of covers. Do not remove spacer until silicone adheres fully to roof panel.



16) If necessary, apply silicone to fill gaps along vertical corners.

PL
Skylights

PL Roof Windows & Skylights

235 Noseman St. Toronto M8Z 2R5

Tel: 416-503-0188 Fax: 416-503-8033

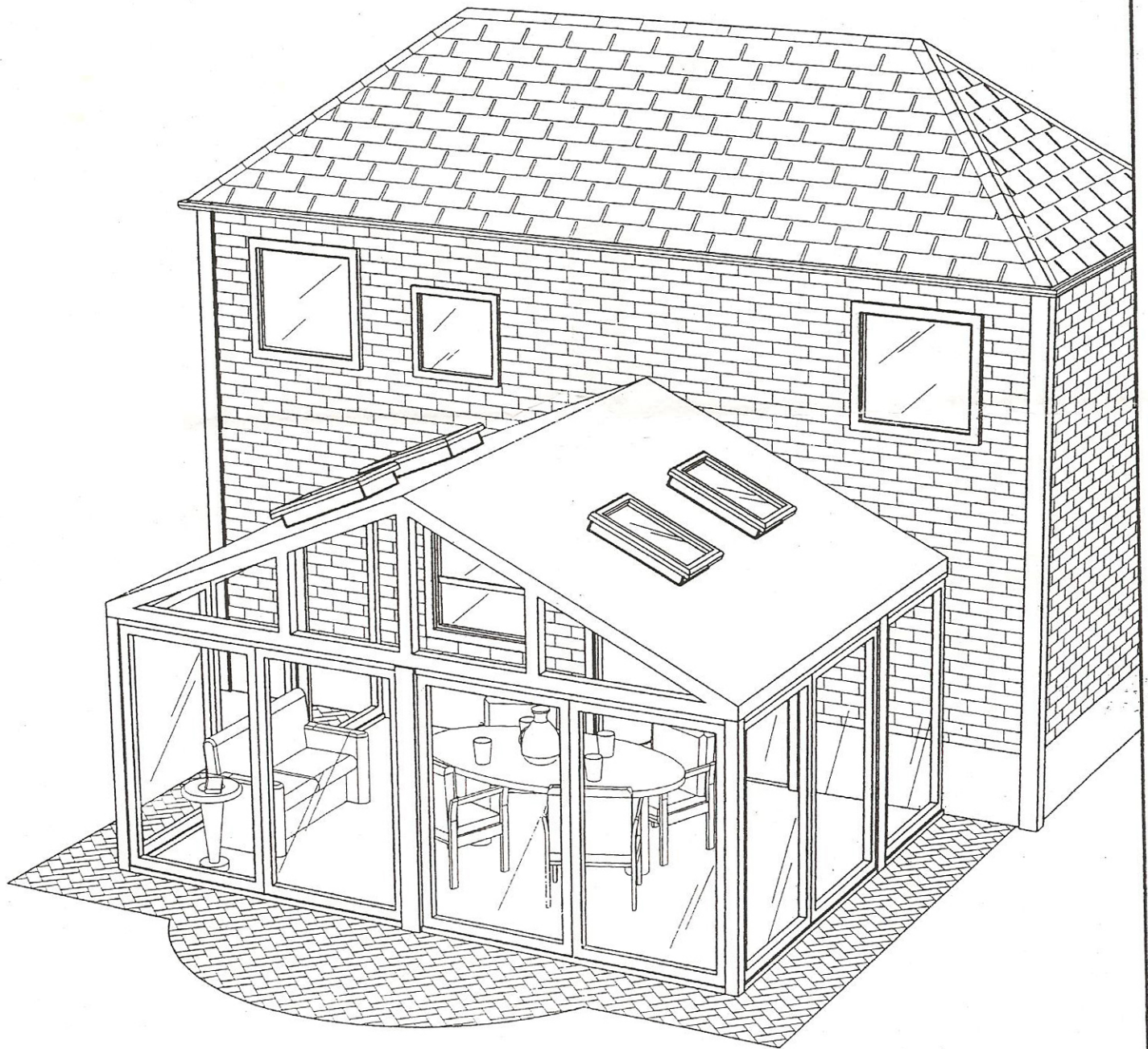
Toll free: 1-866-583-8033 WWW.PLSKYLIGHT.COM

Warning! Seller assumes no obligation or responsibility for failure by purchaser, installer, or building owner, to comply with all applicable building codes, safety, insurance requirements, and building ordinances. Poly Lite products should be installed according to installation instructions, or warranty is void.



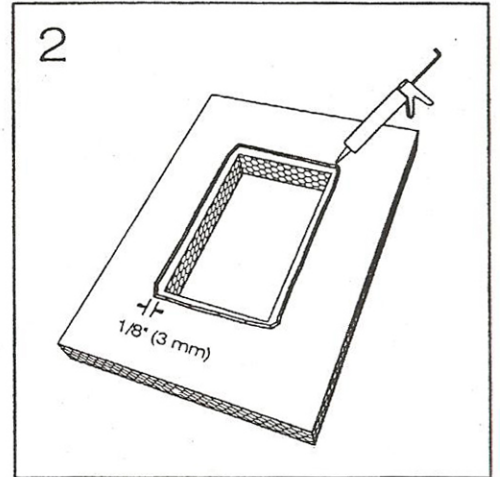
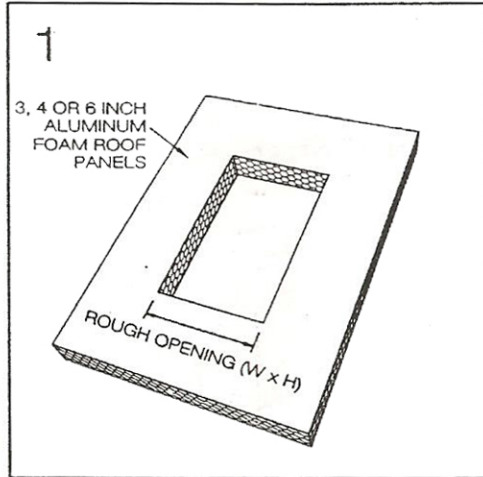
PL Roof Windows & Skylights

Model EFS (Fixed) Installation Instructions
(Sunroom Enclosures)

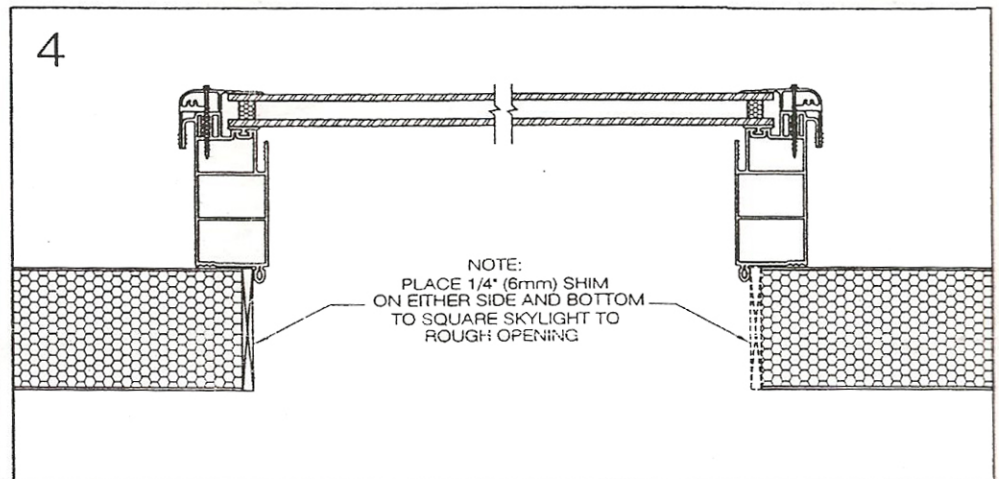
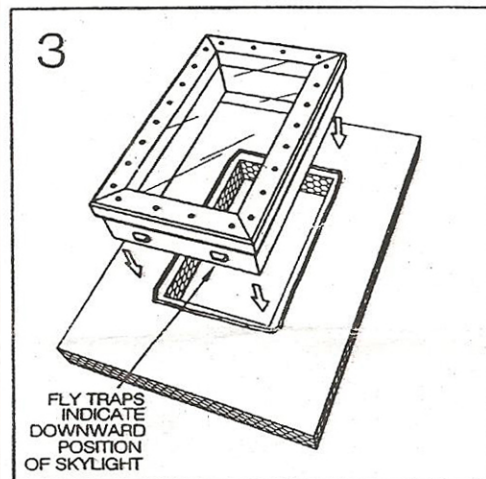


The best **maintenance free**
roof windows and skylights.
Built to endure the test of time.

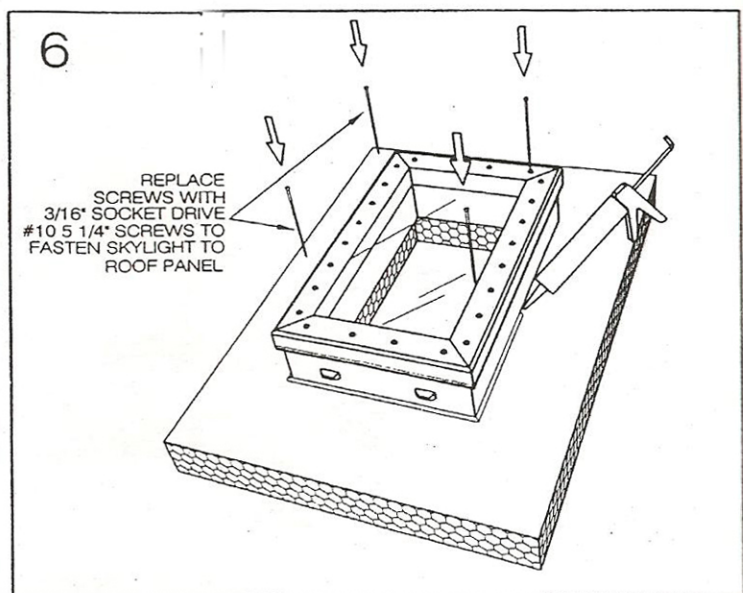
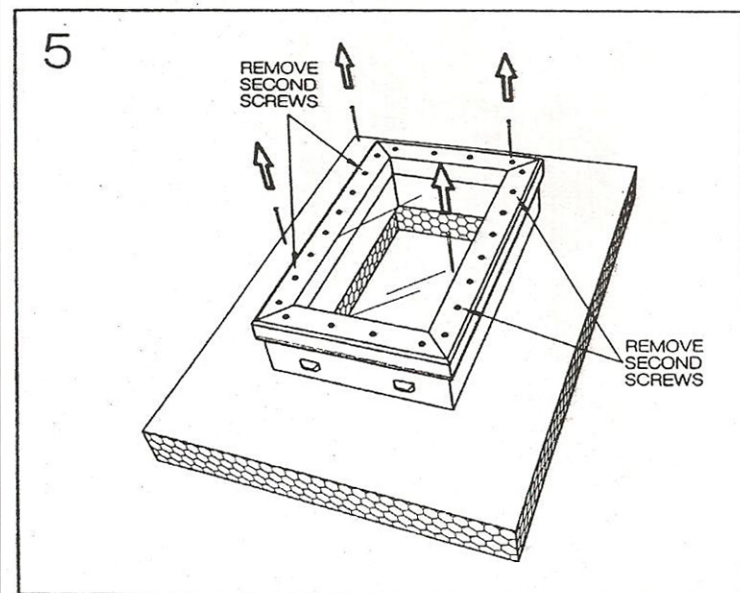
MODEL EFS	ROUGH OPENING DIMENSIONS (W x H)
EFS22	20 1/8" x 25 5/8" 511 x 651 mm
EFS23	20 1/8" x 33 5/8" 511 x 854 mm
EFS24	20 1/8" x 43 5/8" 511 x 1108 mm
EFS33	28 1/8" x 29 5/8" 714 x 752 mm
EFS34	28 1/8" x 43 5/8" 714 x 1108 mm



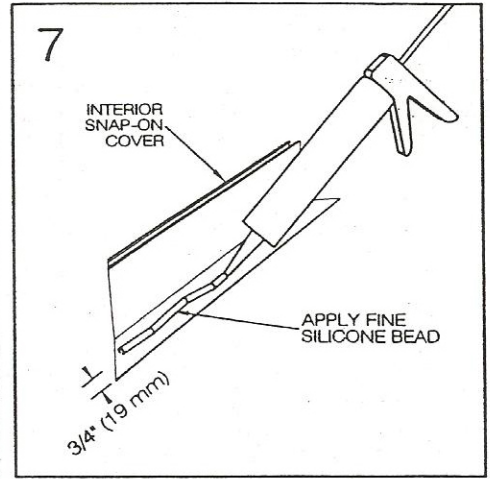
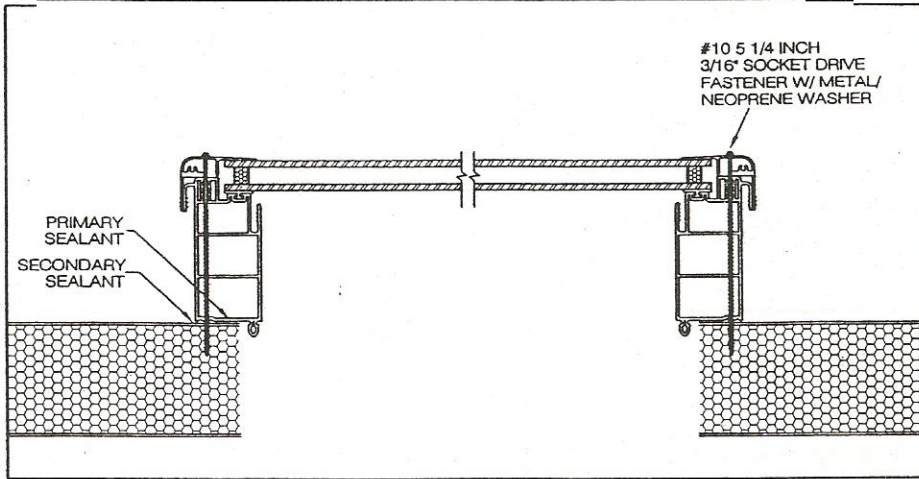
- 1) Cut rough opening as per specified dimensions.
- 2) Apply sealant around rough opening approximately 1/8" from edges of opening.



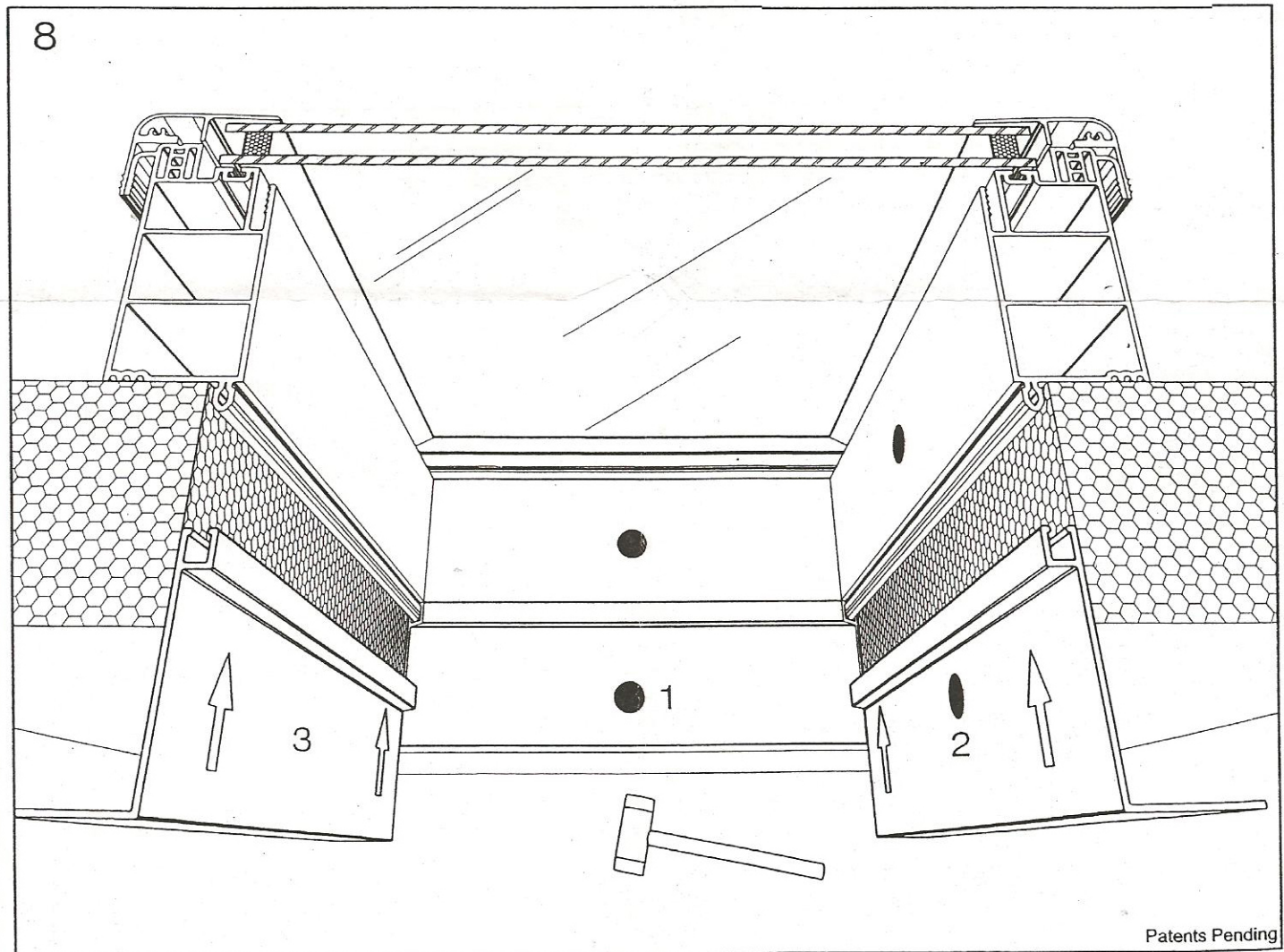
- 3) Insert skylight into rough opening.
- 4) Using 1/4" spacers on either side and bottom, align and square skylight to opening.



- 5) Remove second screws along vertical sides of skylight as illustrated.
- 6) Fasten skylight to roof panel with 3/16" socket drive, #10 5 1/4" screws. Apply sealant around bottom of skylight frame.

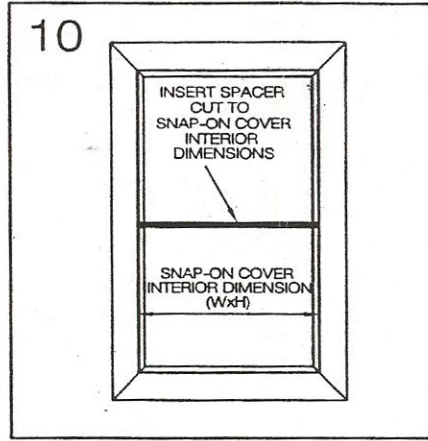
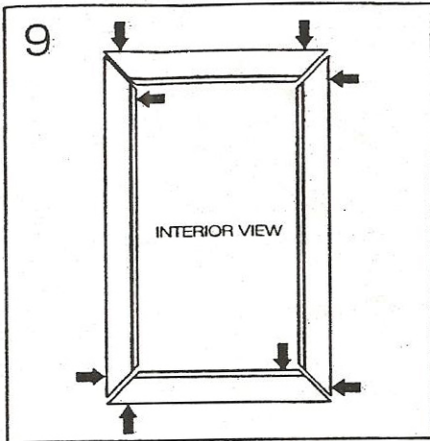


7) Apply a fine silicone bead to bottom legs of interior snap-on covers to avoid bowing and to assure proper alignment and adhesion to interior of roof panel.



Patents Pending

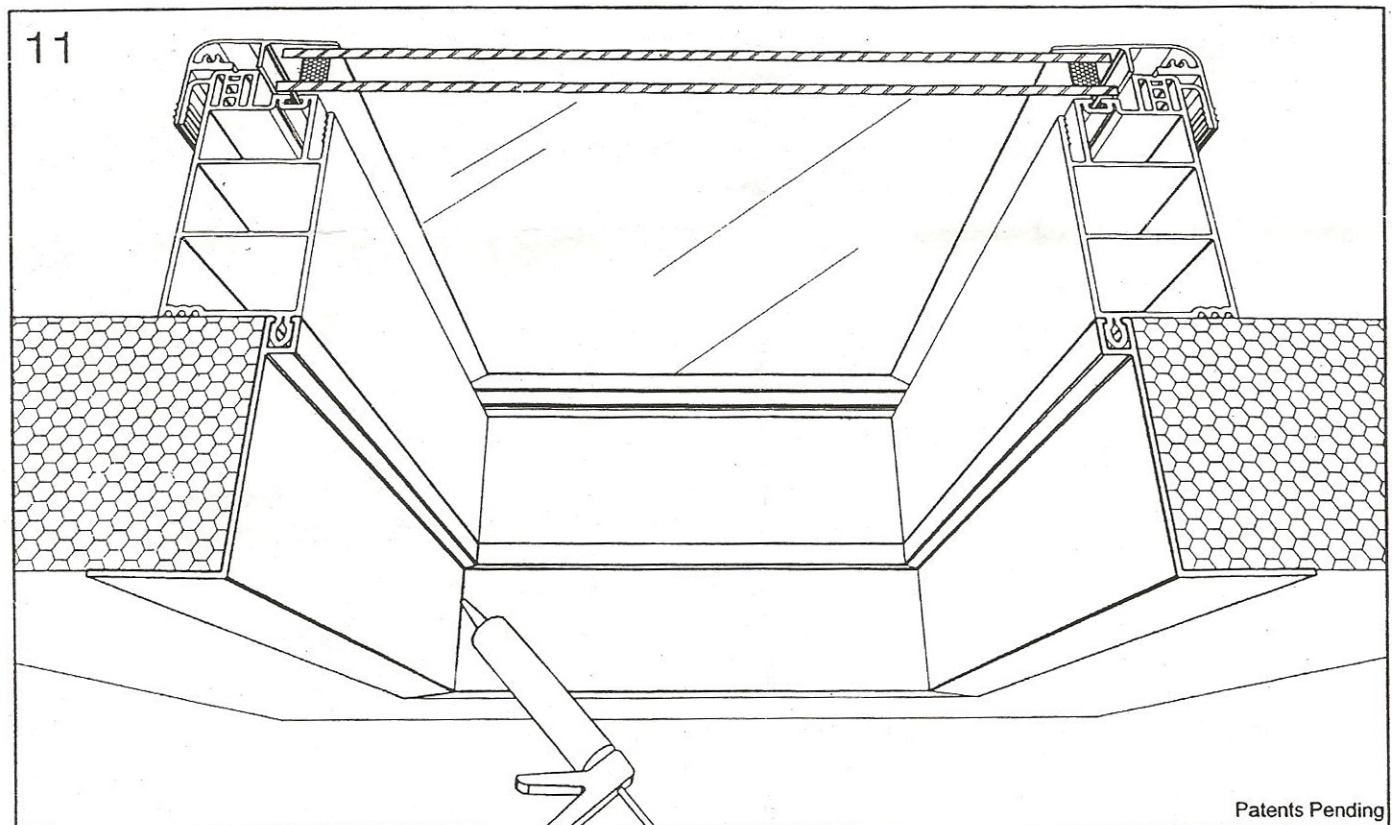
8) Your snap-on covers are cut to exact dimensions, individually fitted with sides of skylight frame and are referenced with matching color dots for proper placement and installation. Insert interior snap-on covers using rubber mallet to avoid scuffing of vinyl in the order indicated above.



MODEL EFS	SNAP-ON COVER INTERIOR DIMENSIONS (W x H)
EFS22	19 7/16 x 24 15/16 in. 494 x 633 mm
EFS23	19 7/16 x 32 15/16 in. 494 x 837 mm
EFS24	19 7/16 x 42 15/16 in. 494 x 1091 mm
EFS33	27 7/16 x 28 15/16 in. 697 x 735 mm
EFS34	27 7/16 x 42 15/16 in. 697 x 1091 mm

9) Adjust mitered ends of snap-on covers if required for proper alignment.

10) Insert spacer cut to interior cover dimensions as per chart to avoid gaps in mitered corners and bowing of covers. Do not remove spacer until silicone adheres fully to roof panel.



11) If necessary, apply silicone to fill gaps along vertical corners.



PL Roof Windows & Skylights

235 Noseman St. Toronto

Tel: 416-503-0188 Fax: 416-503-8033

Toll Free: 1-86-583-8033 WWW.PLSKYLIGHT.COM

Warning! Seller assumes no obligation or responsibility for failure by purchaser, installer, or building owner, to comply with all applicable building codes, safety, insurance requirements, and building ordinances. Poly Lite products should be installed according to installation instructions, or warranty is void.